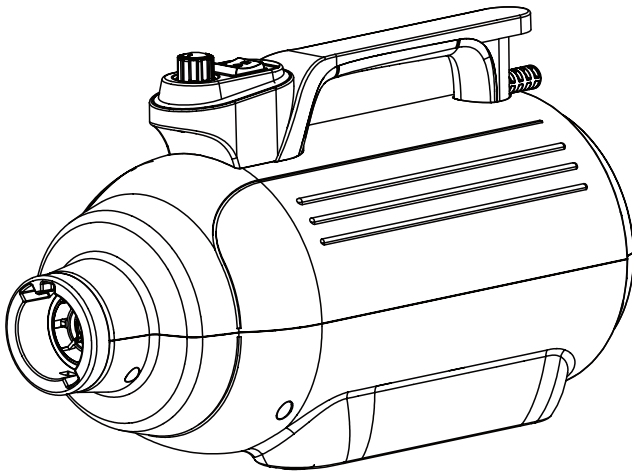


GRÖWERS
WORLD PRO

SERVICE MANUAL
SINGLE MOTOR FORCE DRYER
WITH HEAT



GW SMD-2800



Product Specifications

| ITEM NO. | MAX POWER | HEAT POWER | BLOW FORCE | MAX SPEED | MAX AIRFLOW | TEMPERATURE RANGE | NOISE | NET WEIGHT | RATED VOLTAGE /CURRENT |
|-------------|-----------|------------|------------|---------------------|------------------|---|----------|------------------|------------------------|
| GW SMD-2800 | 2800W | 600W | 1000g | 525MPM 66,000FPM | 7 CBM 290 CFM | RT+42°C/107°F (DISTANCE FROM AIR OUTLET) | 74-87 dB | 4.85kg 10.7lb | 240V 12A |

Note: values may vary depending on the operating state of the dryer.

GW SMD-2800

This is the most aptly named dryer in the pet world.

Incredible power, incredible value, this single motor dryer outperforms most dual motor dryers in this market, its wind speed and blow force has been verified by clients, which is the latest reformation single motor dryers in the world.



② Run with extra auxiliary heating

① Run without extra auxiliary heating

- Select ① Use a stream of air warmed by flowing over the motor to effectively blow water from the pet's coat to cut drying time in half (For GW SMD-2800, cut drying time by as much as 70%).
- Select ② Equipped with additional heating unit, for save working time than use select ①, also more suitable in winter for cold regions.
- Can switch ① to ②, or switch ② to ① anytime when running, according to the actual demand.

ONE YEAR WARRANTY. Motors in GW Equipment dryers are guaranteed against defects in materials and workmanship for one year from the date of delivery.

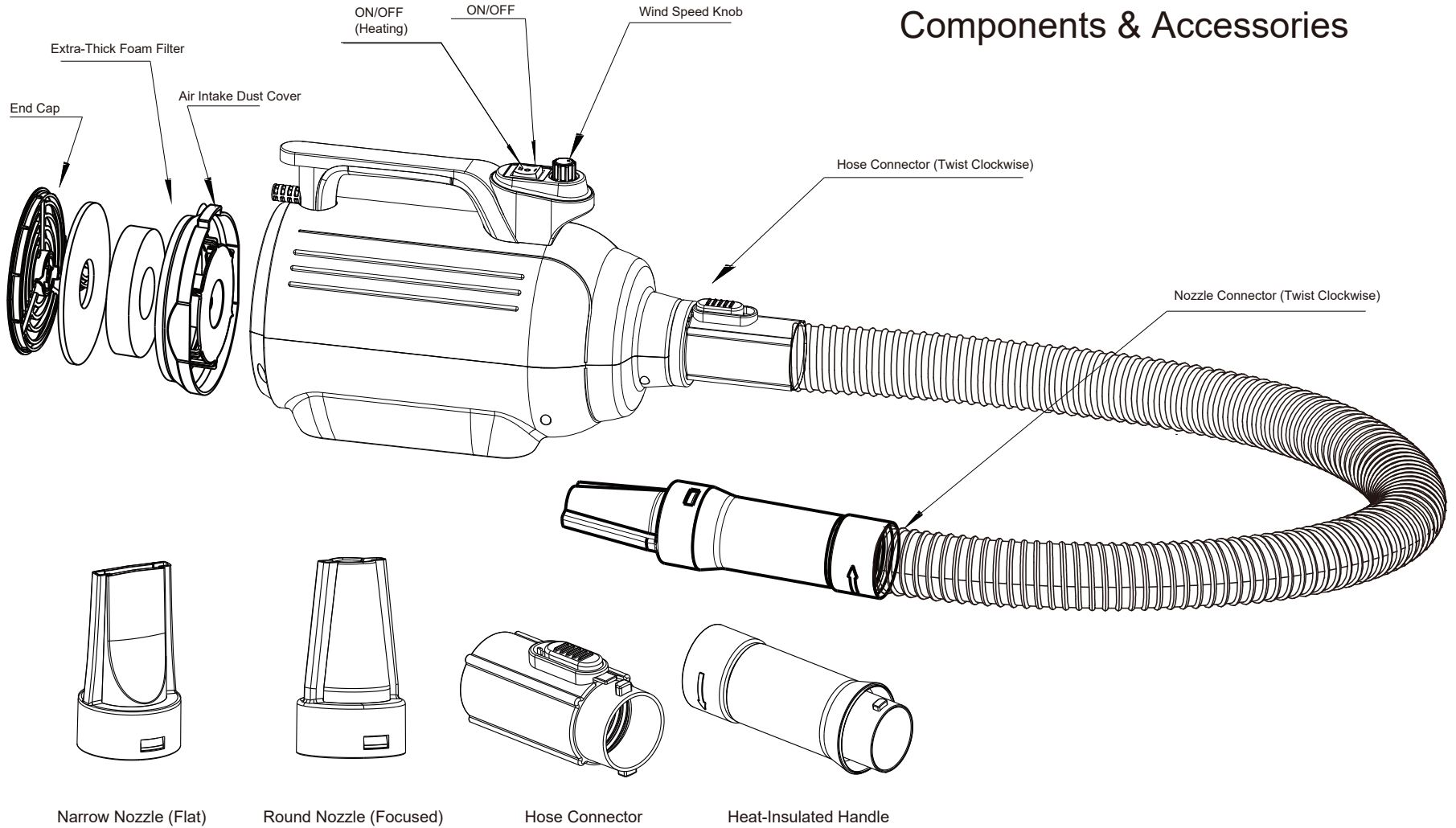
Should any components become inoperable due to defects in materials or workmanship during the warranty period, GW Equipment will repair the dryer free of charge after verifying eligibility through customer service by emailing info@groomersworld.co.uk.

Warranty Limitations: Warranty does not cover shipping or transportation costs.

Warranty applies to original purchaser only, proof of date of purchase is required.

Warranty does not include replacement of carbon brush, and motor or parts.

Components & Accessories



Assembly



Turn clockwise to assemble the nozzle, handle, and hose



Turn clockwise to attach the hose connector, then slide the tab to lock in position

Maintenance



1. To clean the sponge filter, blow it out with air or wash with warm, soapy water, then allow it to dry before reassembling. t
2. Use a wet cloth with a gentle cleaning agent to remove stains or build-up.
3. For maintenance guidance, please visit our YouTube channel: [@GroomersWorld](#).

Product Disposal



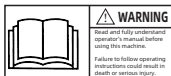
This marking indicates that this product should not be disposed with other household waste throughout the EU.
"This marking indicates that this product should not be disposed with other household waste throughout the UK & EU."

Directions for Use

1. Twist clockwise to lock the hose in position on the front of the dryer and attach a drying nozzle(optional).
2. Plug the power cord into a socket with adequate voltage (15 amps).
3. Turn the speed dial down to the lowest setting and secure or hold onto the hose, then turn on the power switch to start airflow.
4. Twist the speed dial to the lowest setting before turning off the power switch. Then, unplug the dryer after use.
5. Ensure the hose and nozzle are firmly attached before operating to prevent sudden shifting when airflow begins.
6. Place the dryer on a stable, flat surface to prevent tipping or accidental falls during use.
7. Inspect the power cord and hose before each use; discontinue use immediately if any damage is present.

Safety Information

1. Force dryer can only be plugged into a single, grounded 240V UK outlet with minimum 15 amps supply.
2. Do not plug the force dryer into an outlet with other appliances.
3. Secure or hold onto the hose and nozzle before starting airflow, as it may shift suddenly with the initial burst of air.
4. Always turn the speed dial down to the lowest setting before turning the dryer on or off.
5. Never insert pins or metal accessories into the machine, for risk of electrical shock and short circuiting.
6. Do not reach inside the hose connection port or touch internal components.
7. Safely secure the dryer to avoid drops, falls, and external damage.
8. Do not use this dryer if you have a history of cardiomyopathy, a pacemaker, or other heart conditions without medical approval.
9. Consult with a professional technician for repair and troubleshooting—do not attempt to disassemble the dryer.
10. If the power cord or hose are damaged, discontinue use immediately.
11. This appliance can only be used by individuals aged 18+ or trained professionals.
12. Children shall not play with the appliance.
13. Cleaning and user maintenance shall not be made by children.
14. Must be installed with a residual current device (RCD) having a rated residual operating current not exceeding 30 mA in the electrical circuit supplying the bathroom. Ask your installer for advice.
15. Do not operate the appliance if it has been dropped, exposed to water, or shows signs of malfunction.



16. Do not plug the dryer into shared outlets, adapters, extension leads, or power strips.
17. Never allow the dryer, power cord, plug, hose, or accessories to get wet.
18. Do not operate the appliance outdoors or in damp or high-moisture environments.
19. Stop using the appliance immediately if the cord, plug, or hose shows any signs of damage.
20. Do not insert metal objects, tools, or grooming accessories into any part of the appliance.
21. Do not clean or handle the appliance with wet hands.
22. Keep hands, loose clothing, long hair, and accessories away from air inlets.
23. Place the dryer on a stable, flat surface to prevent falls and damage.
24. Ensure proper ventilation during use and do not block air intakes.
25. Unplug and allow the dryer to fully cool before cleaning.
26. Do not apply solvents or liquid cleaners directly to the appliance.
27. Store the dryer in a dry, ventilated place away from moisture, chemicals, and heat sources.
28. The expected service life of the dryer is 3 years under normal use and maintenance.
29. Repairs must only be carried out by a qualified technician—do not disassemble or modify the appliance.
30. Always unplug after every use.
31. Do not leave the dryer running unattended at any time.
32. Keep the dryer away from flammable items such as towels, bedding, sprays, or chemicals.
33. Do not place the dryer on soft surfaces (carpets, mats, towels) that may block ventilation.
34. Ensure pets cannot chew or pull the power cord during use or storage.
35. Do not cover the dryer or obstruct ventilation openings during operation.
36. Allow the motor to cool for several minutes after extended use to prevent overheating.
37. Do not operate the dryer while standing in water or on a wet floor.
38. Turn off and unplug the appliance if the nozzle or hose becomes excessively hot.
39. Ensure the hose is securely attached and locked before switching the dryer on.
40. Avoid directing airflow into a dog's eyes, ears, or nose.
41. Check the appliance regularly for hair or debris build-up and clean after every use.
42. Keep the dryer out of reach of unsupervised children and pets.
43. Turn off and unplug the unit before replacing or adjusting accessories.
44. Do not pull the dryer by its cord or use the cord to lift or move the appliance.
45. Avoid twisting, bending, or sharply pulling the hose or power cord.
46. Ensure your hands are dry before plugging in or unplugging the appliance.
47. Do not use homemade, damaged, or unapproved attachments.

48. Only use the appliance for its intended purpose: drying and blasting water from dogs' coats.
49. If unusual noises, burning smells, or smoke appear, turn off and unplug the dryer immediately and contact your supplier for advice on next steps.
50. Keep electrical sockets and plugs free from hair, dust, and moisture.
51. Keep a copy of this manual in case the product is sold on.
52. Go to the product page at www.groomersworld.co.uk for updates and the latest manuals.
53. WARNING: Do not use this appliance near bathtubs, showers, basins or other vessels containing water.

Dryer Accessories List



GW PDS-01

Stand and Hard pipeCombi Set .

Movable Stander, with a stronghard pipe,
for GW SMD-2800 & GW DMD-2400



GW PDS-04

Stand and Hard pipeCombi Set.

Movable Stander, with a stronghard pipe,
for GW DMD-3000 only

The Entire Series of Force Dryer



GW SMD-2800



GW DMD-2400



GW DMD-3000

Welcome to GW Equipment

Your Go-To Grooming Manufacturer

"GW Equipment has been a trusted specialist in pet grooming products and veterinary equipment for many years, providing reliable, professional-grade solutions to support groomers, salons, and veterinary practices across the industry."

As a professional manufacture supplier, we can offer superior quality,competitive price and first-class craftworks.

Also provide safe package,and prompt delivery service to fully satisfy your demands.

Professional groomers are some of the most compassionate, hardest working people we know!

You deserve grooming equipment that empowers your best work.

GW exceeds industry standards at every step – from product conception and design to manufacturing

and customer service:

Quality

| End-to-end control, from manufacturing to shipping

Loyalty

| Our expert, passionate team has a big reach

Manufacturing Date : 31/12/2025

By and For Pet Groomers

Our team values expertise, ideas, and requests from the grooming community. That's why every GW Equipment design is proudly tested and refined based on feedback from working groomers and salon owners.

Need help? Contact us at Info@groomersworld.co.uk.

GR**WMERS**
WORLD  **PRO**

GR**MERS**
WORLD PRO

Info@groomersworld.co.uk

GW Equipment Ltd.

Address: Unit 11 Sunflag Business Park,
Durham, UK, DH1 1TN

Website: www.groomersworld.co.uk

Email: Info@groomersworld.co.uk