



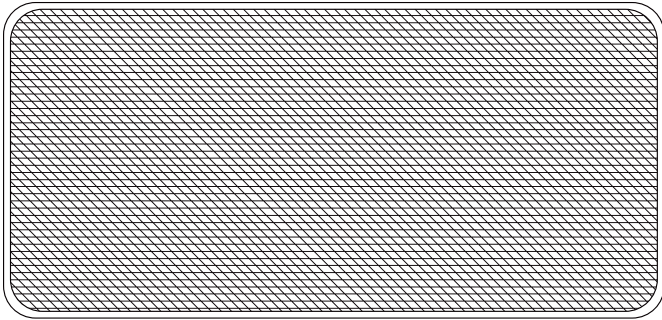
# New Electric Lifting Pet Grooming Table User Manual

**FT-818**

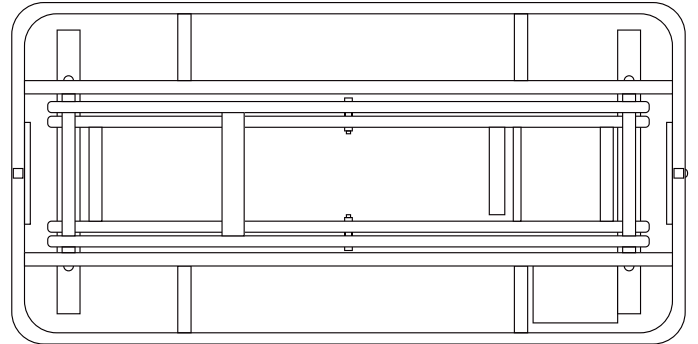


# Schematic diagram of accessories

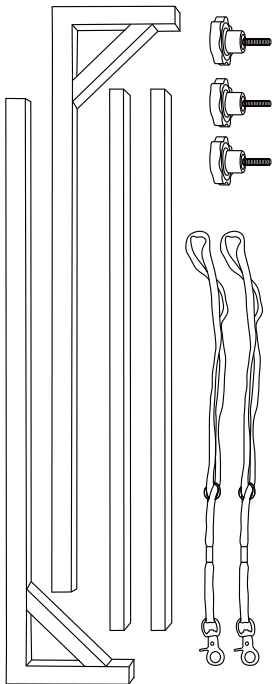
**1** Non-slip Table Top\*1



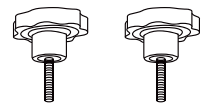
**2** Grooming Table Frame\*1



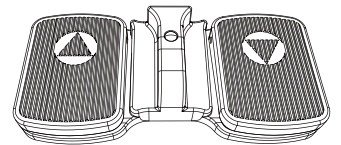
**3** Over-head Grooming Arm Set\*1



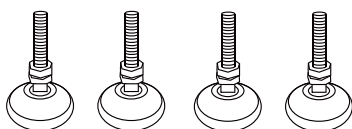
**4** M10\*25 Handle screw\*2



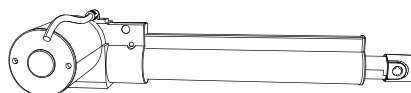
**5** Foot pedal



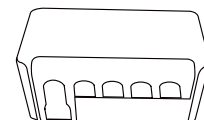
**6** Adjustable feet\*4



**7** Linear actuator 220



**8** Transformer

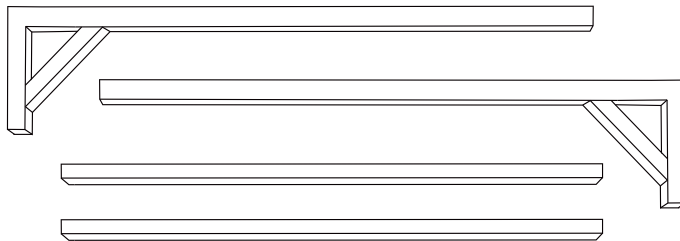


# Accessories

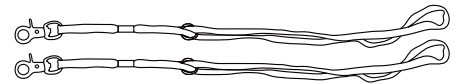
List	Model No.	Spare Parts Name	QTY
1	FT-818-01	Non-slip Table Top	1
2	FT-818-02	Grooming Table Frame	1
3	FT-001	Over-head Grooming Arm Set	1
4	FT-012	M10*25 Handle screw	2
5	BTS-T003	Foot pedal	1
6	BTS-T005	Adjustable feet	4
7	BTS-T004	Linear actuator 220	1
8	BTS-T006	Transformer	1

**The following accessories need to be installed by oneself**

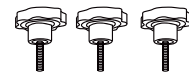
3



Grooming arm

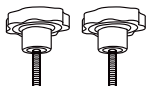


Snap-in Nylon Neck Harness \*2



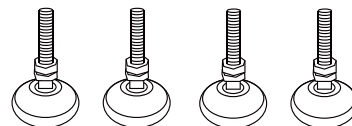
M8\*16 Handle screw \*3

4



M10\*25 Handle screw \*2

6



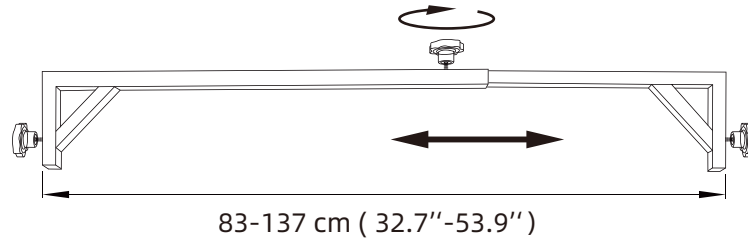
Adjustable feet \*4

After receiving the product, please first check if the packaging is severely damaged. Open the packaging and check if the accessories are complete. If there are any quality issues with the product.

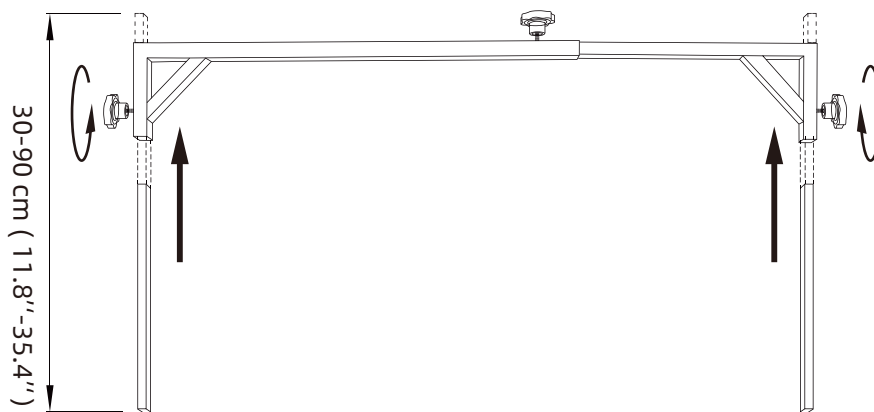
# Installation instructions

## Over-head Grooming Arm Set Installation As Below:

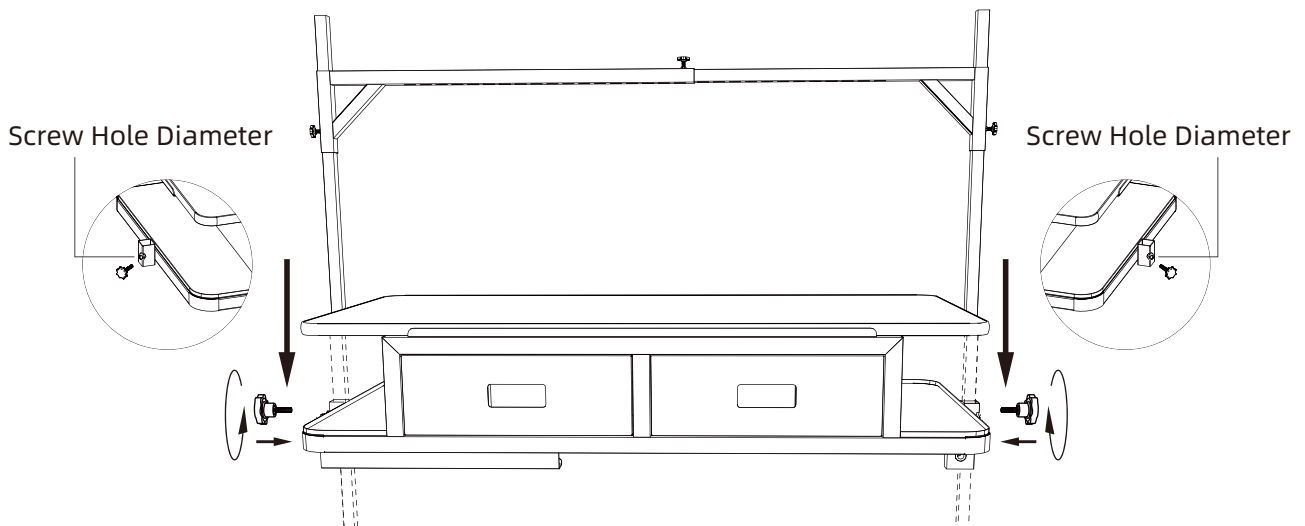
- ① Loosen the screws counterclockwise. According to the width of the table, push the arm outward to the appropriate position, and then lock up the top handle screw.



- ② Loosen the screws on both sides of the grooming arm counterclockwise. Insert the arm into the suspension arm separately, and keep the height on both sides consistent, and then lock up the handle screws on both sides.

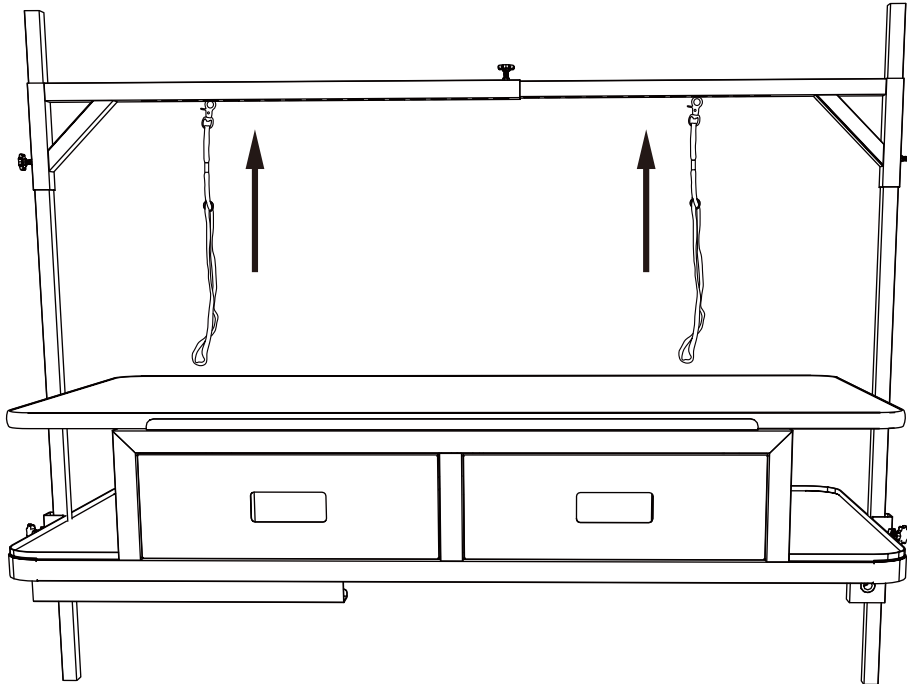


- ③ Use the over-head grooming arm set insert into the two side hole on the table, Leave a length of 4-6cm. Use M10\*25 handle screws to fix the two side grooming arms.



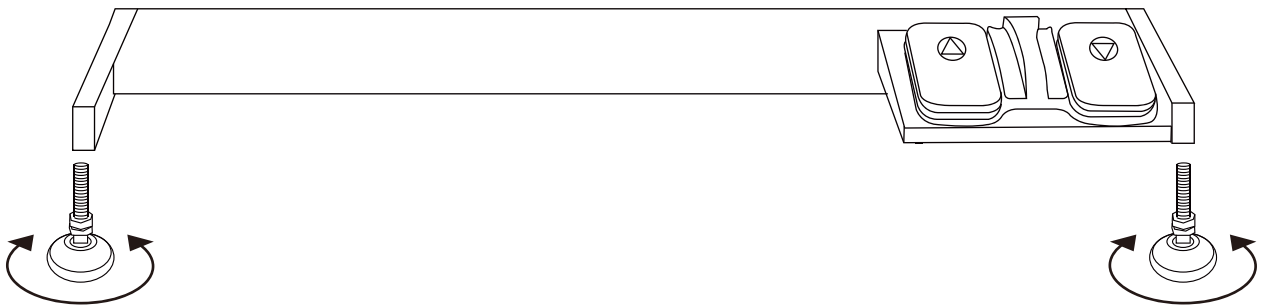
# Installation instructions

- ④ Snap-in Nylon Neck Harness, can be locked to the hole above the grooming arm, used to control the pets during the grooming process.

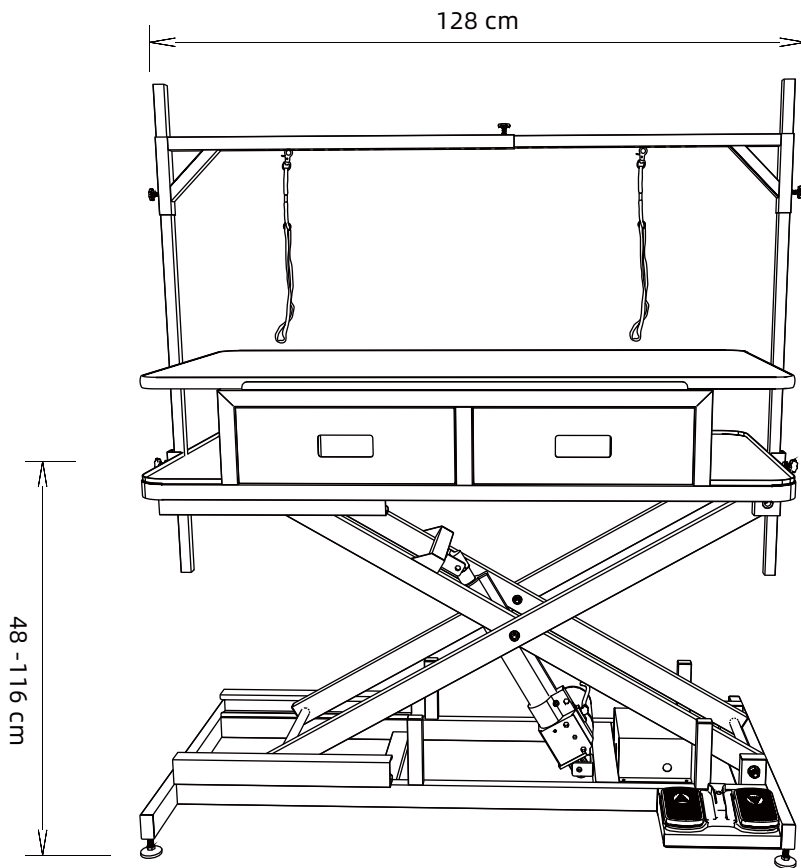


## **Adjustable Feet Installation Method As Follows:**

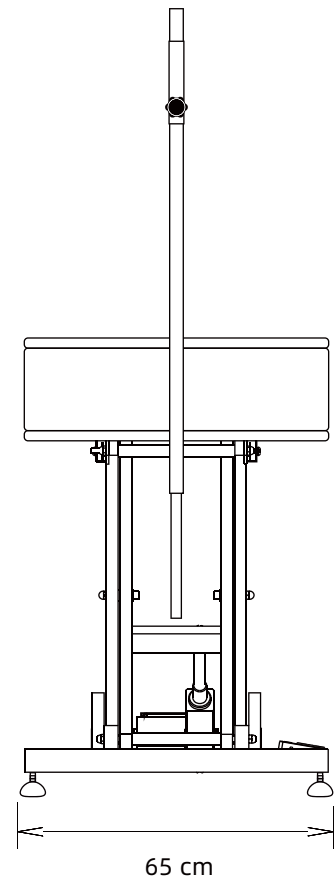
Install the adjustable feet in the proper position of the base and lock them tightly



# Parameter



**Front view**

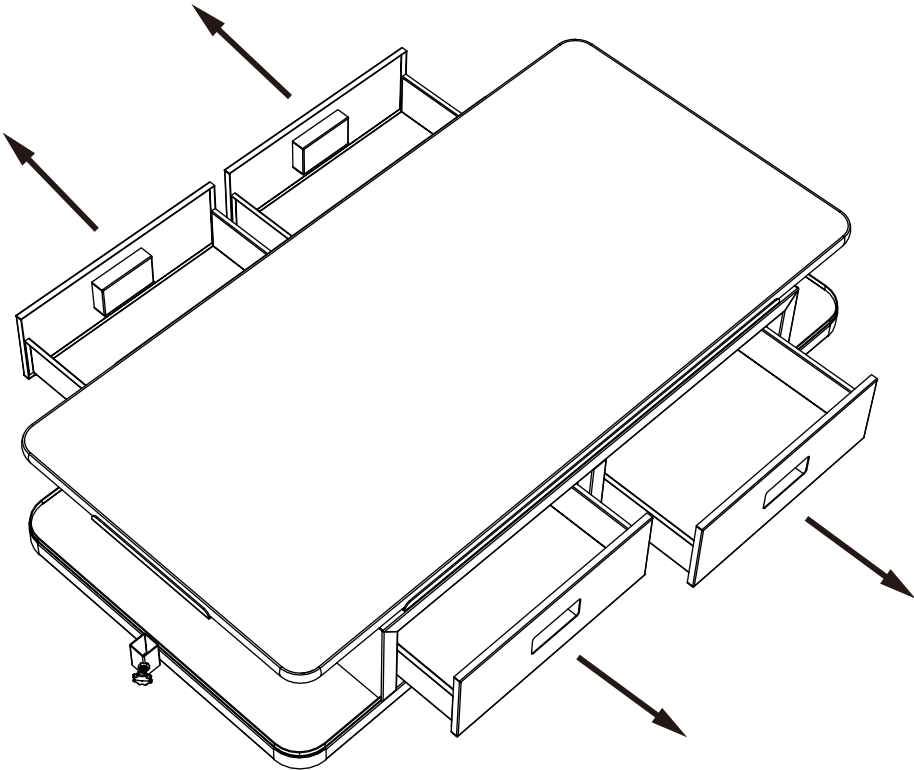


**Side view**

Type: FT-818			
Net weight(kg)	76	Gross weight(kg)	81
Voltage	110-240V	CBM	0.40
Product dimensions (cm)	128x65x48-116	Package dimensions (cm)	131.5x69.5x44H

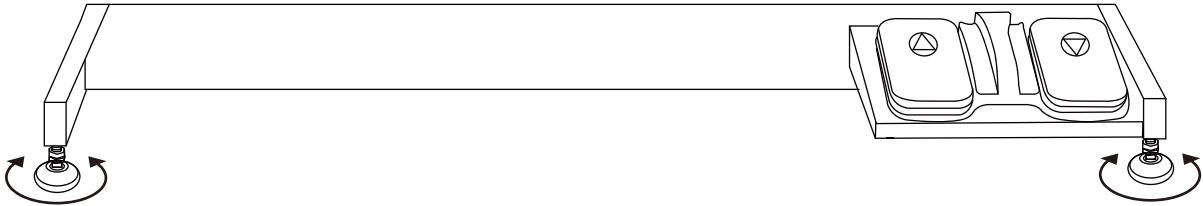
# Instructions for use

The storage space of four drawers.

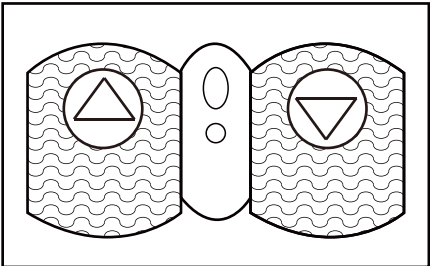


## Adjust the leveler as below:

Rotate the leveler to a suitable height



## Instruction of foot pedal as below:



Stepping on the pedal to lift up



Stepping on the pedal to go down

# Specification

Name	<b>Pet Grooming Table</b>	<b>Weight GW/NW</b>	<b>76 / 81 kg</b>
Model	<b>GWFT-818</b>	Input	230V-50Hz
Size	<b>128*65*48-116H cm</b>	Max Power	50W
Lifting Height	<b>48-116 cm</b>	Output	24V =, Max2, 0A
Static Load	90 kg	Manuf No	03GW-FT818
Lifting Weight	100 kg	Manuf Date	20.05.2026

	<b>⚠ WARNING</b>
	Read and fully understand operator's manual before using this machine. Failure to follow operating instructions could result in death or serious injury.

**UK  
CA**

**C E**



MADE IN CHINA

GW Equipment Ltd., Unit 11 Sunflag Business Park, DH11TN Durham  
[info@groomersworld.co.uk](mailto:info@groomersworld.co.uk)

## **Note**

1. This product is not intended for use by individuals (including children) with physical disabilities, delayed reactions, or mental disorders, unless there is the guardian shall supervise and guide the use of this product from the sidelines, and shall be responsible for the safety of the user;
2. Please do not let children get close to the lifting range of this product to prevent accidents.
3. Please do not disassemble it yourself if there are any abnormalities or malfunctions during use.
4. Do not contaminate with corrosive liquids or solids.
5. If you need to clean the frame and electric parts, you can use a dry towel and a hair dryer to remove any remaining hair on the surface, excrement, water stains, and other dirt.
6. Please check the power cable periodically. If the plug, power cable, or controller is damaged, do not continue to use it.
7. Do not use water to flush the power controller, foot pedal, and linear actuator . Otherwise, the electric control components will be damaged, and even electric shock may occur.
8. Dog must be in centre of table.

## **Warranty Exclusions**

This warranty does not cover failures or damages resulting from misuse, accidents, modifications, unsuitable physical or operating environments, acts of nature, transportation damages, or improper maintenance.

## **Limitation of Liability**

Under no circumstances is the supplier liable for third party claims against you for damages, special, incidental, or indirect damages, or for any economic consequential damages, or lost profits, business revenue, goodwill or anticipated savings. Some states or jurisdictions do not allow the exclusion or limitation of incidental or consequential damages, so the above limitation or exclusion may not apply to you.

## ■ Instructions For Use

- 1.Switch on power and lower table to appropriate height for loading pet.
- 2.Load pet onto table. Adjust to suitable height. Switch off power.
- 3.After use switch on power. Adjust height for removing pet.
- 4.Switch off power.
- 5.Remove Pet.

### **Warning**

- 1.This table is only intended for dogs and cats with a weight limit of 115kg.
- 2.This equipment must only be used by a trained professional over 18 years old.
- 3.If electric wires are damaged do not use.
- 4.Ensure the table is level stable before you use.
- 5.Do not leave pet unattended while on table.
- 6.Do not get electric wet. Please keep electric dry at all times.
- 7.Please use an IP66 Plug socket cover.
- 8.Do not shake table.
- 9.Do not sit on table.
- 10.Do not play with electric, poke or prod.