

AEOLUS

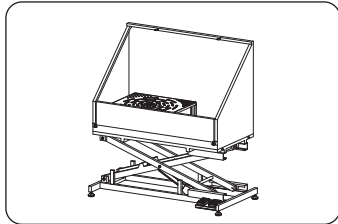
Professional Pet Drying Equipments Supplier



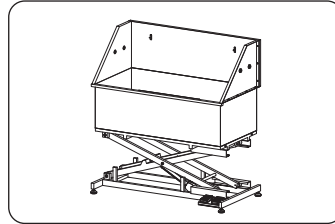
AEOLUS

Fiberglass Bathing Tub

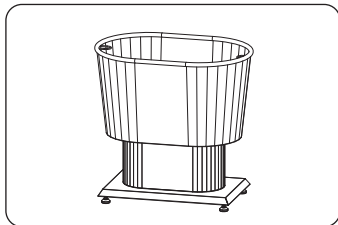
BTF-130E



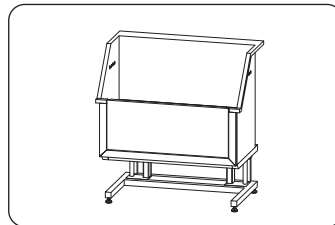
BTS-132TE



BTS-136E



BTS-161



BTS-139E

Distributor Contacts

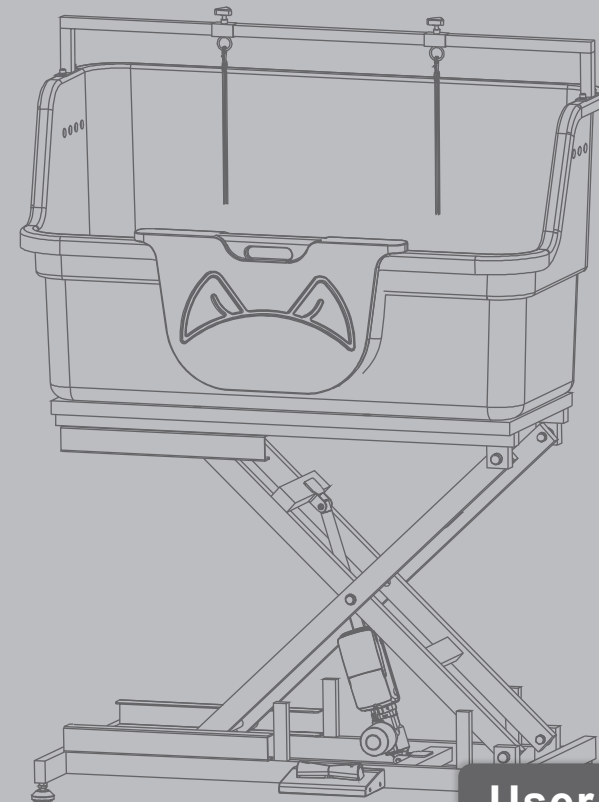


AEOLUS

Producer: Shanghai TOEX International Trading Co., Ltd.
Address: Room 403, Building 3, No. 288, Qianfan Road,
Songjiang District, Shanghai, China.

Manufacturer: Shanghai Xunyuan Industrial Co., Ltd.
Address: Lane 29, No.1509 East Qianming Road,
Fengjing Town, Jinshan District, Shanghai.

New
Generation



User Manual

www.AEOLUSpet.com

Aeolus BTF130E Fiberglass Bathing Tub was designed in Italy specifically for animal bathing. It is made of nautical grade fiberglass (the same material and thickness as used in yacht construction); features a sturdy electric base that can easily support upwards of 80kg (177lbs), large enough to accommodate most giant breeds. The flowing shape, a soothing off white color, water resistant foot pedal control, gentle movement, stainless steel hair strainer, flexible drain hose, puppy booster, pre-drilled holes for tap and steel ropes combine to make this a tremendous tub.

Package Inspection

The manufacturer is not liable for any damage caused by a third party "Transport or Delivery Company".

The day the unit is delivered, an inspection of the outer packing should be made for any damage to the packing box.

Then the unit should be unpacked carefully; all components, accessories and the table itself should be inspected for any damage or loss of components.

If any damage is evident, the carrier or dealer should be notified immediately.

Parameters

Net weight	78.8kg
Gross weigh	130kg
Loading Capacit	80kg
Dimension	127×66.5×104-170cm 50"×26 3/16"×40 15/16"-66 59/64"
Package	138×71×120cm
Volume	1.176 cbm

Safety Warning

1. Use only as described in this manual. Use only manufacturer's recommended attachments.
2. To reduce the risk of fire, or electric shock - DO NOT use outdoors or on wet surfaces. DO NOT place the product on an uneven or soft ground.
3. This product is not intended for use by persons (including children) with reduced physical, sensory or mental capabilities, or lack of experience and knowledge, unless they have been given supervision or instruction concerning use of the product by a person responsible for their safety.

Children should be supervised to ensure that they do not play with the product.

4. DO NOT use with damaged cord or plug.

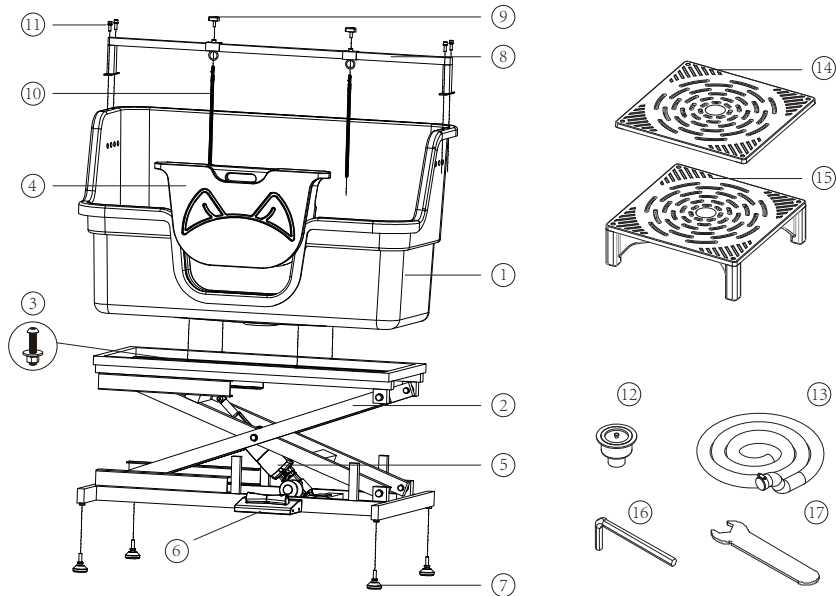
5. DO NOT cut, damage, or modify the cord. DO NOT pull or carry by cord, use cord as a handle, close door on cord, or pull cord around sharp edges or corners. DO NOT pull, twist,

or bend the cord with unnecessary force. DO NOT run the product over cord. Keep cord away from heated surfaces. DO NOT place heavy objects on the cord or allow the cord to get pinched in between objects. DO NOT wind the cord around the product.

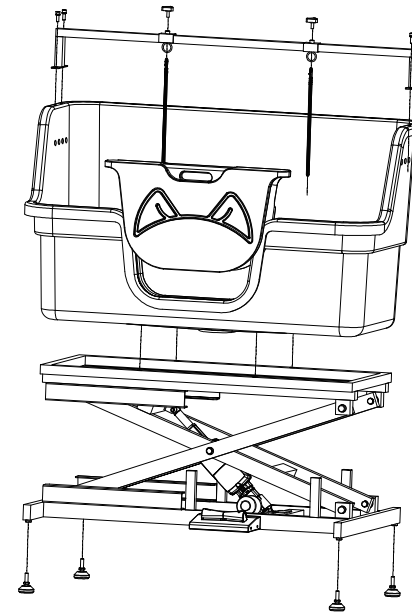
6. DO NOT unplug by pulling on cord. To unplug, grasp the plug, not the cord.
7. DO NOT handle plug or the product with wet hands.
8. Turn off all controls before unplugging.
9. DO NOT use the product near flammable or combustible liquids such as gasoline or use in areas where they may be present. The fumes from these substances can create a fire hazard or explosion.
10. DO NOT modify, disassemble or repair.
11. Make sure the local voltage and frequency of the power meet the requirements on the label of the product.
12. Avoid using the product in dusty, vibrating and wet environment and in chemical storage place.
13. Neither people nor animals are allowed to be under the tub especially when it is power-on.
14. Gently control the tub to rise or lower slowly and safely.

- | | |
|---------------------------|-------------------------------|
| 1.Acrylic bathing basin | 9.Fasten knob M8 (2) |
| 2.Electric lifting base | 10.Grooming harness (2) |
| 3.M8 x 25 Bolts (4) | 11.Screws on grooming arm (4) |
| 4.Door | 12.Drainage head |
| 5.Linac actuator | 13.Drain hose |
| 6.Foot pedal | 14.Puppy panel (2) |
| 7.Adjustable levelers (4) | 15.Plastic booster |
| 8.Overhead grooming arm | 16.Allen pen (M8) |
| | 17.Open wrench (M8) |

Parts List



Assembly Instructions



- 1.Put the Tub Basin onto the Electric lifting base. Insert the M8x25 Bolts and securely tighten them.
- 2.Install the adjustable levelers and adjust them to make sure the bathing tub stands steadily.
- 3.Install the Overhead grooming arm on the Tub basin with screws.
- 4.Put the Drainage Head in the drain hole of the Tub Basin and securely bolt the Drainage Head to the Drain Hose.
- 5.Put the Plastic panels at the bottom of the Tub basin, and them put the Puppy booster on the Plastic panels (see Figure 1).

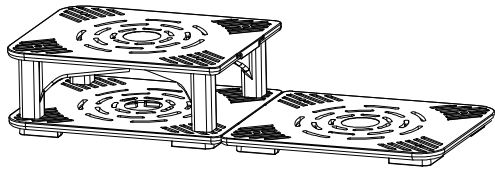


Figure 1

6. Insert the Door properly.

Operation Instructions

1. Plug in the tub.
2. To bathe large breeds or older dogs, step on the down pedal to lower the tub and open the front door to allow them to stroll in. To bathe small breeds, step on the up pedal to raise the tub to a suitable level for user's stature (and/or by adding a booster rack).
3. Start a shower.
4. After the shower, let the water out of the tub and take the animal out.
5. Unplug the tub and clean it with a cloth.

Maintenance

In between usages, the tub should be cleaned with a soft cloth or sponge using a mild cleaning agent.

Warranty

Each Aeolus product has a 1 year limited warranty. This warranty covers the cost of parts and repairs done by Aeolus International's Technician Team. Your warranty is only valid when accompanied by your sales receipt or proof of purchase date. This warranty coverage excludes lost items or destroyed items. This warranty does not cover the shipping costs associated with your repair or replacement items. To start a product repair or parts replacement claim for your product, please contact us at info@AEOLUSpet.com or call your local Aeolus location.

Service Support

Contact us if you cannot solve your problem with this manual.

Dallas
11307 Indian Trail, Dallas, Texas 75229, USA.
Tel: +1 469 930 6359
Web: www.aeoluspet.com

Shanghai
Room 403, Building 3, No. 288, Qianfan Road, Songjiang District, Shanghai, China.
Tel: +86-21-67632060, 67632364